

## Balance Pressure Thermostatic Steam Trap Clean Steam Trap TSS6A (DN1/2"-3/4"ASME BPE)

### DESCRIPTION

The TSS 6A all stainless steel thermostatic steam traps and air vents are specifically designed for use in reactors, sterilizers and distribution lines in clean and pure steam systems. The small size makes it ideal for use with a wide variety of these equipment.

### MAIN FEATURES

1. Modulating discharge
2. Wide range of connections options
3. Excellent air discharge
4. Simple and compact design

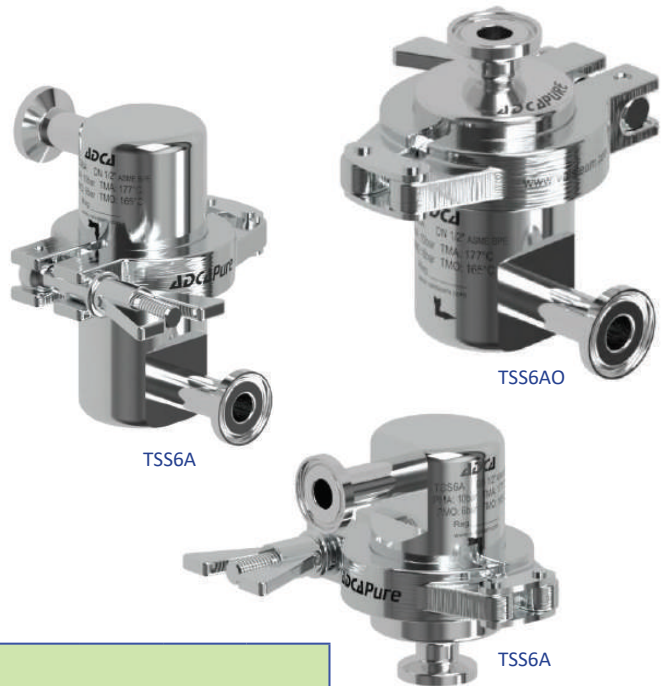
### STANDARD SURFACE FINISH

**Internal whetted parts:** ≤ 0.51 microns Ra-SF1

**External:** ≤ 0.76 micron Ra-SF3

Other surface conditions see IS PV20.00-Technical info.

Ultrasonic cleaning



FLOW RATE CAPACITY IN Kg/h										
MODEL	SIZE	DIFFERENTIAL PRESSURE (bar)								
		0,2	0,3	0,5	1	1,5	2	3	4	6
*TSS6A (A)	1/2"-3/4"	320	380	410	550	680	909	1081	1199	1403
*TSS6A (B)	1/2"-3/4"	470	495	518	697	792	1026	1231	1436	1682

Capacities shown refer to condensate at 5°C below saturated steam temperature.

A=Condensate discharge. B=Cold water capacity at about 20°C.

\*Also applied to TSS6AI and TSS6A O

PMA	Max. allowable pressure	10 bar
TMA	Max. allowable temperature	177°C
PMO	Max. operating pressure	6 bar
TMO	Max. operating temperature	165°C

#### OPTIONS:

Special designs under request.

#### USE:

Saturated clean steam

#### AVAILABLE MODELS:

TSS6 A Inlet and outlet angle  
TSS6AI Inlet angles traight outlet  
TSS6AO Inlet straight outlet angle

#### SIZES:

1/2" and 3/4"

#### CONNECTIONS:

ASME BPE  
Clamp ferrules.

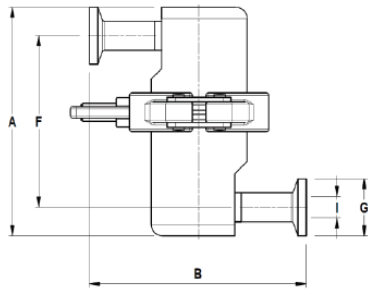
#### PACKAGING:

Assembling and packaging in a clean room certified according to ISO 14644-1.  
The product is end capped and vacuum sealed with recyclable plastic film to avoid contamination

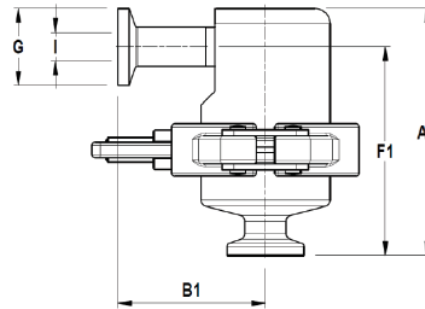
#### INSTALLATION:

Vertical installation

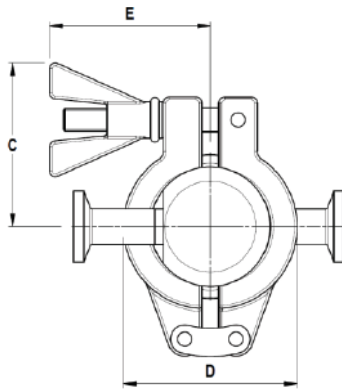
TSS6A



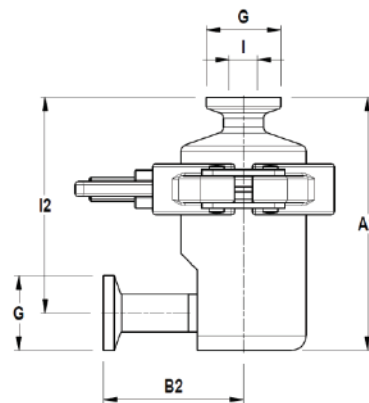
TSS6A



TSS6AI



TSS6AO



**DIMENSIONS (mm)**

Size DN	A	A1	A2	B	B1	B2	C	D	E	F	F1	F2	G	I	WGt. kg
1/2"	100	80,5	85	95	48	47	57,5	61	56,5	75	68	72,5	25	9,4	1,2
3/4"	100	80,5	85	95	48	47	57,5	61	56,5	75	68	72,5	25	15,75	1,2

**MATERIALS**

POS.	DESIGNATION	MATERIAL
1	Body	AISI316L / 1.4404
2	Cover	AISI316L / 1.4404
3	*Thermostat	AISI316L / 1.4404
4	*Gasket	PTFE/TFM® Envelope gasket**
5	Safety clamp	AISI316 / 1.4401

\*Available spare parts.

\*\*FDA/USP Class VI seals certificate on request.

